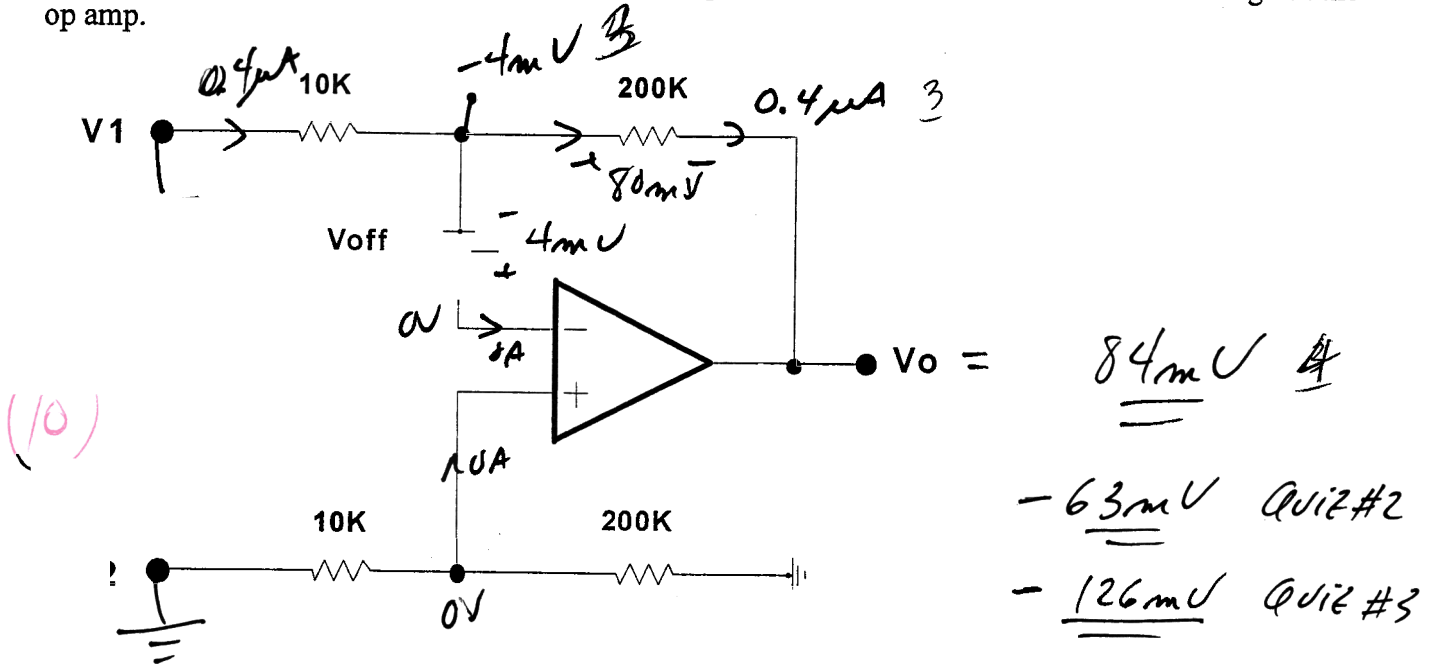


NAME: SOLUTIONS

USING IDEAL OP AMP ANALYSIS:

A) Assuming the op amp has an I/P offset voltage of 4 mV, determine the O/P offset voltage of the op amp.



B) Assuming  $V_1 = 0.55V$  and  $V_2 = 0.5V$ , and the op amp still has an I/P offset voltage of 4 mV, determine the actual O/P voltage.

